

The Manufacturer of Professional Speaker

NEODYMIUM
SUBWOOFER

AD804

80"

Nominal diameter

20~200Hz

Frequency range

5000W

Power handling capacity

105dB

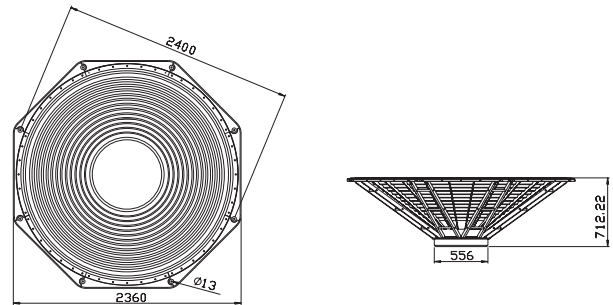
Sensitivity (1W/1m)



Specifications

Model	AD804	
Nominal diameter	in.	80
Power handling capacity	W(AES)	5000
Max power	Watts	10000
Nominal impedance	Ω	4
Sensitivity (1W/1m)	dB	105
Frequency range	Hz	20-200
Voice coil diameter	mm/in	500/19.7
Fs	Hz	11
Re	Ω	4.0
Qms		7.95
Qes		0.2
Qts		0.2
Vas	L	42029
Mms	gr	10350
Cms	mm/N	0.02
BL	Tm	110.0
Le	mH	5.6
Xmax	mm	15.0
nO	%	6.80
Sd	cm ²	35632
Overall diameter	mm	2360
Bolt circle diamete	mm	2400
Baffle cut-out diameter	mm	2320
Overall depth	mm	720
Net weight	Kg	210

Dimension Drawings



- AES power is measured with 6dB crest factor continuous pink noise in 2 hours duration.
- Max power is defined as 3dB higher than the nominal rating.
- Sensitivity is measured at one meter at 2.83V and 8 ohm nominal impedance.
- All measurement of the speaker is done after a sufficient high level of 20Hz sine wave test.
- Xmas is defined at the BL drops by 18% of the original figure.