

The Manufacturer of Professional Speaker

NEODYMIUM

DRIVER

DH990

- 180 Watt Max Power
- 2 inch throat exit
- 99.2mm (4 inch) voice coil
- 700Hz to 16kHz frequency response
- 110dB 1W@1m sensitivity
- Neodymium magnet structure

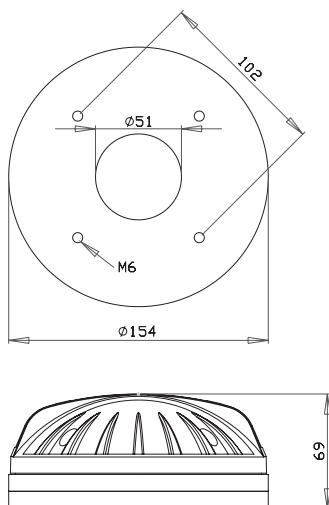


Specifications

Model		DH990-8	DH990-16
Throat diameter	mm/in	51/2	
Power handling capacity	W	90	
Max power	W	180	
Nominal impedance	Ohm	8	16
Sensitivity (1W/1m)	dB	110	
Frequency range	Hz	700-16K	
Voice coil diameter	mm/in	99.2/4	
Re	Ohm	6.4	12
Flux density	T	1.9	
Diaphragm		Titanium	
Voice coil		Copper Clad Aluminium	
Magnet material		Neodymium	
Bolt circle diamete	mm	4xM6 holes 90° on 102	
Overall diameter	mm	154	
Overall depth	mm	69	
Net weight	Kg	3.7	

- AES power is measured with 6dB crest factor continuous pink noise in 2 hours duration.
- Max power is defined as 3dB higher than the nominal rating.
- Sensitivity is measured at one meter at 2.83V and 8 ohm nominal impedance.
- Sensitivity is measured at one meter at 4V and 16 ohm nominal impedance.

Dimension Drawings



Frequency Response and Impedance Magnitude Curve

