



**NEODYMIUM**

**COAXIAL**

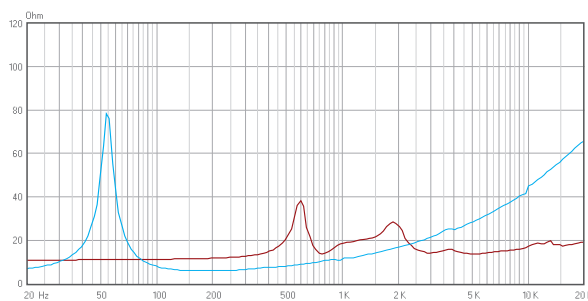
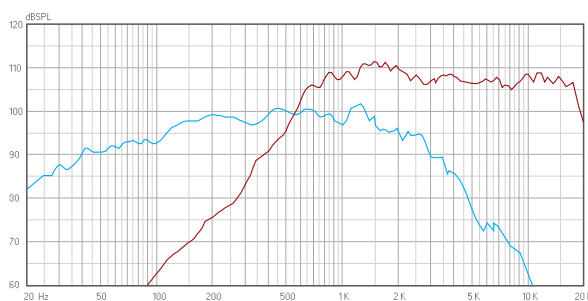
## CD15F640H

- Point source coaxial design
- 900 Watt Max Power
- 50Hz to 18KHz frequency response
- 99dB 1W@1m sensitivity
- Neodymium magnet structure

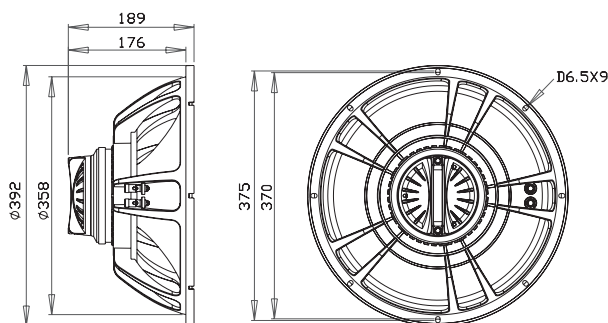
### Specifications

Model		CD15F640H
Nominal diameter	in.	15
Power handling capacity	W(AEC)	450
Max power	Watts	900
Nominal impedance	LF/HF Ω	8/16
Frequency range	Hz	50-18K
Sensitivity (1W/1m)	dB	99.5
Voice coil diameter	mm/in	75.5/3
Fs	Hz	50
Re	Ω	5.5
Qms		4.50
Qes		0.41
Qts		0.38
Vas	L	119
Mms	gr	88
Cms	mm/N	0.11
BL	Tm	19.2
Xmax	mm	5.0
Throat diameter	mm/in.	35/1.4
Power handling capacity	W(AES)	60
Nominal impedance	Ω	16
Sensitivity (2.83V/1m)	dB	106
Frequency range	Hz	1K-18K
Voice coil diameter	mm/in	63.5/2.5
Re	Ω	11
Overall diameter	mm	392
Bolt circle diameter	mm	370-375
Baffle cut-out diameter	mm	358
Overall depth	mm	189
Net weight	Kg	5.5

### Frequency Response and Impedance Magnitude Curve



### Dimension Drawings



- AES power is measured with 6dB crest factor continuous pink noise in 2 hours duration.
- Max power is defined as 3dB higher than the nominal rating.
- Sensitivity is measured at one meter at 2.83V and 8 ohm nominal impedance.
- All measurement of the speaker is done after a sufficient high level of 20Hz sine wave test.
- Xmas is defined at the BL drops by 18% of the original figure.